

Grease Management Solutions  
by Grease Guardian

**125 GPM**  
250+ pound

**GGX125-AST**

**Model GGX125-AST**  
**A Complete Packaged**  
**Grease Management System**  
**Compact, Reliable and Fully Integrated**  
**A SMART SYSTEM FOR A SMART BUILDING**



**AUTOMATIC  
SOLIDS  
TRANSFER**

**AUTOMATIC  
GREASE  
REMOVAL**

**AUTOMATIC  
WASH DOWN  
SYSTEM**

**FULLY  
INTEGRATED  
SYSTEM**

**Complete Grease Management Solutions** By Grease Guardian

**TECHNICAL DATA**

# GREASE GUARDIAN

## GGX125-AST 125 GPM - 250 pound

**CONSTRUCTION**

TANK	304 stainless Steel
FRAME	304 stainless Steel
CONTROL PANEL	304 stainless Steel
INTERNAL COMPONENTS	304 stainless Steel
WEIGHT EMPTY	390 pounds
WEIGHT FULL	1050 pounds

**ELECTRICAL**

SUPPLY	110 vac
POWER LOADING	1670watts
CURRENT LOADING	18amps
CONTROL METHOD	PLC
PROTECTION	GFI required
APPROVED SYSTEM	UL 499

**FLOW AND HANDLING**

FLOWRATE	125 gallons per minute
GREASE RETENTION CAPACITY	250+ pounds
SKIMMING RATE - LOW	20 pounds per cycle
SKIMMING RATE - HIGH	40 pounds per cycle
AVAILABLE CYCLES	4 per day
MAXIMUM GREASE SKIMMING	160 pounds per day

**HOT WATER REQUIREMENTS  
(Optional)**

WATER PRESSURE	40 psi
TEMPERATURE	100-140 DEG F
WYE STRAINER	Required
BACKFLOW PREVENTION	Required
WATER HAMMER ARRESTOR	Required

**SPECIFICATION**
 Grease Guardian Model GGX125-AST - Part # GGX125-AST

Grease Guardian GGX125-AST, self-cleaning automatic grease removal unit. 16 gauge fully welded 304 stainless steel tank, stainless steel internal baffle, fully sealed air tight stainless steel lid and robust stainless steel clamps, heavy duty stainless steel solids strainer plate, uni-directional inlet and outlet flow connections, with easy fit pipe couplings, concealed plumbing and electrical connections, 125 gallon per minute flowrate, 250+ pounds grease retention capacity, and skimming rate of 20/40 pounds per low/high cycle. The GGX125-AST is supplied with a stainless steel rotating skimming drum, integral gas trap, integral flow control, totally enclosed geared drive unit, 2 x 600 watt immersion heaters with self-regulating temperature control / low level protection and programmable controller with operator interface. Self cleaning Automatic Solids Transfer (AST) feature via built in submersible high powered vortex pump. The GGX125-AST is electrically tested and approved to UL499 and CSA C22-2 88-1952 standards. 3 year warranty is standard.

 Stainless Steel Support Frame - Part # GGX125STAND

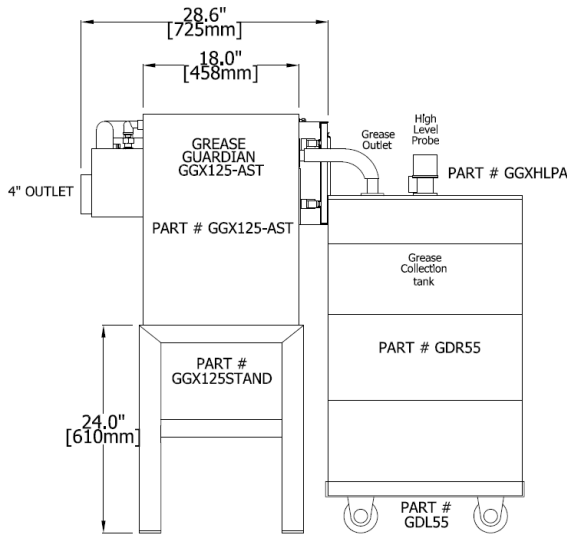
 Grease Level Controller - Part # GGXHLPA

Grease Guardian Level Control Probe Assembly is fitted to lid of the Grease Collection Barrel. The probe will send a high level alert to the Grease Guardian PLC whenever the barrel is 90% full of grease. This signal can alert a high level flashing beacon and also send an alert signal automatically to the Building Management System

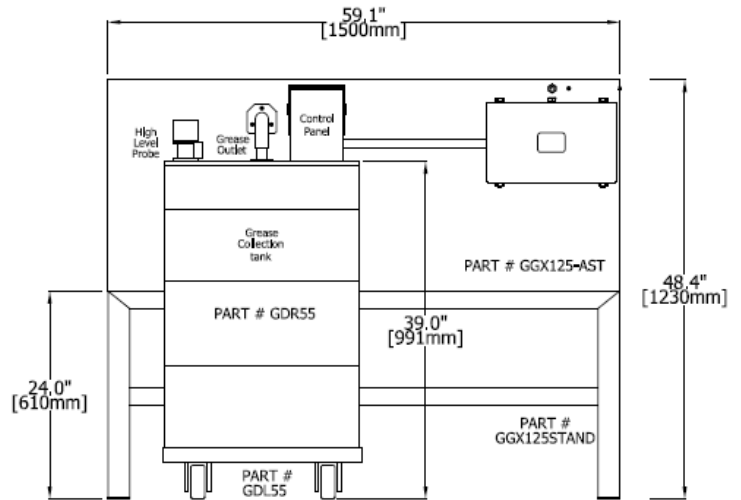
 55 Gallon Grease Collection Barrel—Part # GDR55-S

 55 Gallon Dolly for Grease Collection Barrel - Part # GDL55

# GREASE GUARDIAN



Side View



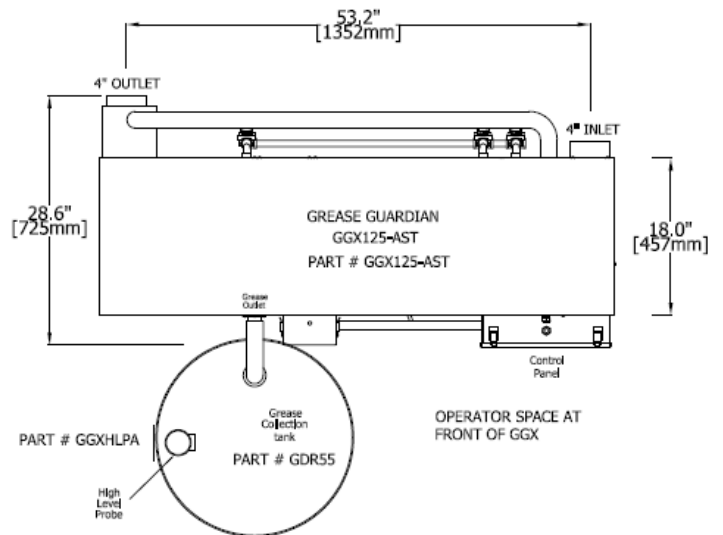
Front View

**KEY INSTALLATION NOTES**

- Allow for the minimum clearances shown
- Allow 63" x 32" for tank and container base
- Allow adequate space for grease container
- Inlet port is uni-directional (single)
- Outlet port is uni-directional (single)
- Keep outlet piping at 1/8" per foot or greater
- Use rubber pipe connections provided
- Only switch on after filling with water
- Refer to full manual for full instructions

**HOT WATER SUPPLY OPTIONAL CONNECTION**

- 1/2" incoming hot water pipe
- Backflow Prevention
- Water hammer arrestor
- Wye Strainer



Top View

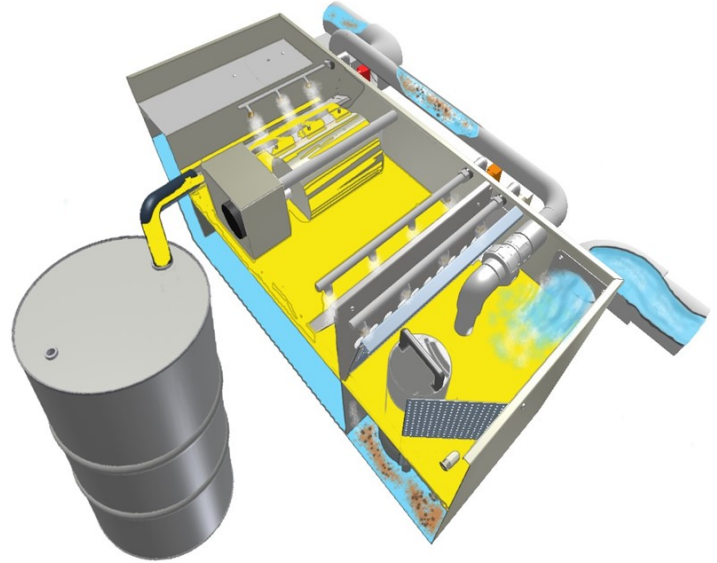
**PRE-START UP CHECKS**

- Ensure unit is positioned on a level surface and is plumbed securely
- Ensure electrical outlet is fitted with dedicated ground fault circuit breaker
- Ensure unit is filled with water to the correct level
- Ensure strainer basket is fully closed
- Set PLC date and time as detailed in the manual
- Ensure the grease container is empty and secured in place

# GREASE GUARDIAN

## GREASE GUARDIAN standard features

- 3 Year Warranty
- 16 Gauge stainless steel welded tank
- Fully sealed air tight lid
- Universal flow direction
- PLC/HMI automatic controller
- Optional BMS connectivity
- Long life skimming blade
- Optional automatic internal wash down system
- Optional automatic inlet screen spray bar wash
- Lift out solids basket
- 1/2" optional hot water connection
- Concealed plumbing & electrical connections
- Integral flow control
- Integral gas trap



## Grease Guardian GGX125-AST

# GGX125-AST

### Stage 1 - Solids Separation

Wastewater from the kitchen is directed through the inlet of the GGX125-AST. Incidental food waste solids are collected and automatically removed.

### Stage 2—Grease and Oil Separation

Grease in the wastewater floats to the surface and is trapped leaving the clear water to exit the tank.

### Stage 3 - Self Cleaning Grease Removal

The PLC controlled immersion heater is activated to liquefy the grease, which is then removed by the skimming drum into the external grease collector.

Grease Guardian Automatic Grease Recovery Units are the most efficient and reliable on the market.

The Grease Guardian GGX125-AST, point source grease recovery unit intercepts wastewater from the kitchen, separates solids and grease, then automatically removes the settled grease into the external grease collector up to 4 times per day.

All Grease Guardians are built from high quality stainless steel tanks, reliable and efficient mechanical skimming devices and programmable PLC interfaces.

The Grease Guardian GGX125-AST machines carry an unrivaled 5 year warranty on all mechanical and electrical equipment and a 10 year warranty on the tank.