



COFFEE GUARDIAN INSTALLATION NOTES

- The ST2 Coffee Guardian should be positioned in the cabinet beneath the coffee machine using the brackets provided. Please observe the following:
- Ensure clearance is provided for opening the hinged lid as indicated in the picture.
- Ensure that the ST2 is positioned close to the front of the cabinet for ease of operation and inspection.
- Connect the flexible waste hose on the coffee machine to the ST2 inlet and connect the waste outlet pipe to the floor waste point.
- Ensure that a gravity fall in line with local plumbing codes, is provided between the STs and the floor waste point.
- The Grease Guardian ST2 system is supplied with 3/4" connections.

MAINTENANCE NOTES

Fabric filter can be replaced regularly without having to remove the internal stainless steel filter.

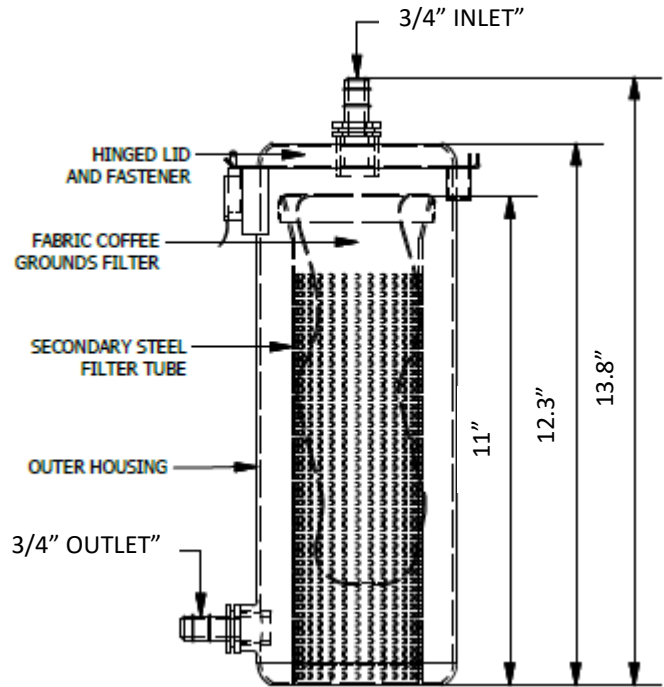
Replacement efficiency Guide

Capacity of Fabric Filter: 2.2 pounds

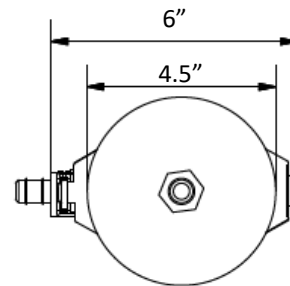
1 Cup of Coffee	0.1gram
100 Cups of coffee	10 grams
100 days x 10 grams	2.2 pounds

Therefore the fabric filter needs replaced every 100 days

Periodic cleaning of the stainless steel filter is recommended. To enable this the ST2 can be completely un-clipped from the wall brackets. After cleaning, the stainless steel filter can be snapped back into place.



FRONT VIEW



TOP VIEW

ST2 - PRODUCT CHARACTERISTICS			
	FABRIC FILTER	METAL FILTER	METAL FILTER
MATERIAL	STAINLESS STEEL	ELASTHAM	STAINLESS STEEL
CAPACITY	0.7 GALLONS	2.2 POUNDS	2.2 POUNDS

GREASE GUARDIAN ST2 COFFEE GUARDIAN

TYPICAL INSTALLATION

